

PLASTIVAL INC.

FENCE KITS FOR ABOVE GROUND POOLS

ASSEMBLY GUIDE

Layers of protection such as a fence, wall or natural barrier around your pool can help reduce unauthorized use. Make sure your pool entrance has a self-closing and self-latching gate and is properly maintained.

REMEMBER THERE IS NO SUBSTITUTE FOR ADULT SUPERVISION!

Thank you for choosing Pool Surround™. We hope you are satisfied with the quality and design of our products. Every effort is made to keep our finished product clean. However, through the fabrication process, PVC picks up a static charge attracting dust and dirt. A damp cloth can be used to remove most of this debris.

It is very important for you to review the video and written instructions before starting the installation.

TOOLS REQUIRED :

- drill with Phillips drill bits (#2 and #3)
- utility knife
- level
- hacksaw
- pencil
- measuring tape
- lockable pliers or vice grips
- adhesive for caps (PVC glue or silicone caulking)

BEFORE STARTING :

Please remember to work safely with power tools and to wear appropriate eye protection. This fence is easier to install with two people, especially if one has had experience with manual tools. Please look at the video and read the instructions carefully to facilitate installation.

Check packages for shipping damage and report any damage to us toll free at 1-800-626-6105. Please do not return this item to the store, if you need parts or assistance for any reason, call our Customer Care Line.

INSTALLATION TIPS :

1. If you are working alone, we recommend the use of lockable pliers to help hold the fence post in the mounting bracket while you fasten them together with screws.
2. Use a level to check each step of the installation. Keeping each component level at each step will make the installation easier and improve the final appearance.
3. Lay out the fence components where the fence is going to be installed. Place the fence end posts (holes on one side only) and six #8 x 5/8" screws by the pool uprights where the fence will start and stop. Next, place the remaining fence line posts (holes on both sides) and eight #8 x 5/8" screws at every pool upright in between. Now, place one fence mounting bracket, two #12 x 1" screws and one plastic cap at every pool upright. To start, place one horizontal fence rail between each pool upright and leave the other horizontal fence rails and the fence pickets in the boxes. You will have the components where you need them, when you need them.
4. Before you begin the installation, walk around your pool. Be on the look out for skimmers or other protrusions that will influence the location of the mounting brackets and the overall height of the fence. While you are at it, make sure the pool top caps are all the same size, particularly on oval pools. On some pools, there may be more than one size of pool top cap. It is important that the mounting brackets are at a uniform height around the pool.
5. Fence posts should be installed approximately 1/2" from the pool top caps to allow for the installation of winter covers.
6. Do not cut more than one horizontal fence rail at one time. The distance between pool uprights might vary.
7. For pools with resin uprights, it may be necessary to fasten the fence mounting bracket to the resin pool upright, with a steel or plastic anchor OR use a nut and bolt on existing pools. If using a steel or plastic anchor, we recommend a #8 Buildex E-Z Anchor, available at your local hardware store.

NOTE: to maximize your benefit and enjoyment from your above ground pool, we suggest that you make reference to National Spa & Pool Institute (NSPI) or the National Swimming Pool Foundation (NSPF). The NSPI and the NSPF offer many publications and materials to help you enjoy your pool. For more information, contact:

National Spa and Pool Institute
2111 Eisenhower Avenue
Alexandria, VA 22314
Telephone: (703) 838-0083

National Swimming Pool Foundation
10803 Gulfdale, Suite 300
San Antonio, TX 78216
Telephone: (210) 525-1227

WARNING: There is no substitute for competent adult supervision in the swimming pool environment!



PLASTIVAL INC.

FIVE STEP INSTALLATION INSTRUCTIONS

Caution: Be careful with hardware and tools around the pool as they could damage the liner.

Diagram #1: Fasten the fence mounting brackets to each of the pool uprights using two #12 x 1" self-tapping screws. Use a level to keep each mounting bracket as straight as possible. Please note: the self-tapping screws will not need a pilot hole in most cases. However, if the screws do not self-tap within a reasonable length of time, pre-drilling may be required. The brackets may need to be trimmed, but only once the fence is completely assembled. A pool with resin uprights may need a nut and bolt or a plastic anchor nut to install the mounting brackets to the uprights.

Diagram #2: Slide the fence post into the bracket so that it measures a minimum of 1/2" between the top cap and the line post. This space allows for the installation of a winter cover. Next, attach the fence post to the bracket using four #8 x 5/8" screws. The fence posts can be installed anywhere in the mounting bracket based on the size of the pool top seat/top rail and top cap. Some fence posts will require the full depth of the mounting bracket and others may need to be trimmed. The location of the fence post inside the mounting bracket will change based on the pool manufacturer and style. For resin pools with a radius top seat (topseat is molded in a curve like the shape of the pool) the fence posts will have to be installed far enough out in the mounting brackets to clear the topseat curve.

Diagram #3: Measure the distance between the two fence posts and add 1". This measurement is the length of the bottom horizontal rail, for this section only. **Good practice is to measure twice – cut once. Do not measure or cut more than one horizontal rail at a time.** Cut equal amounts off both ends of the horizontal rails as per figure #3. This will help to maintain uniform picket spacing. Install all the horizontal rails on the bottom before you install any on the top.

Diagram #4: Each horizontal rail should extend into each fence post by 1/2". As per diagram #5, use one #8 x 5/8" screw to attach the horizontal rail to the fence post. When attaching the horizontal rail to the post, **make sure the screw "catches" the horizontal rail.** As the screw goes through the fence post, you will see it pushing the fence rail away. Continue applying pressure to the drill; once the screw "catches" the fence rail, tighten until they are snug. Once all the bottom rails are in place, the pickets can be inserted and the top rails put into place and secured (refer to instruction #3 to attach horizontal rails).

Diagram #5: The sections of fence will come apart if the screw misses the rail inside the fence post. Check each section by shaking the rails on either side of each post. Lastly, install the plastic fence caps, using a drop of PVC glue or silicone caulking to secure them in place.

Ladders: Installing the Pool Surround with over-the-wall ladders

Here is a solution that will allow you to easily install the Pool Surround fence up to both sides of your ladder. Please keep in mind, this solution may be used for decked portions of your pool. It is recommended that you contact your local building official to determine which methods meet with local codes and safety standards. As a pool owner, it is your responsibility to develop and promote a safe swimming environment.

MATERIALS:

One 4" x 4" wooden board, one self-tapping screw

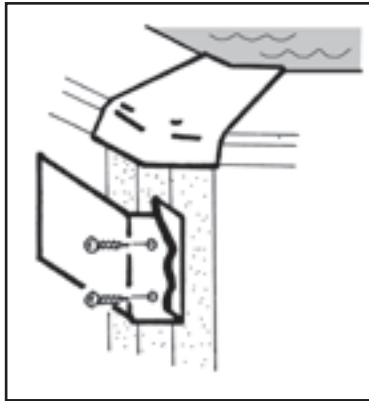
SOLUTION:

Install an "artificial upright" that fits tight against the pool wall.

1. Position the ladder to one side of the pool section.
2. Determine the location for the "artificial upright" and dig a hole approximately 6" into the ground.
3. Measure from the bottom of the hole to the top of the pool wall and cut a section of board to fit this span.
4. Place the 4" x 4" wooden board into the ground so that it fits snugly against the pool wall.
5. Attach the wooden board to the pool structure by using one self-tapping screw. You will have to screw down through the pool topseat / top rail and into the top of the wooden board.
6. Fill the hole in the ground with the remaining dirt.
7. Attach the fence mounting bracket and install the pool fencing as per the assembly instructions.

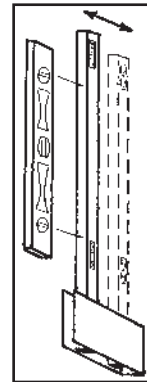
THIS FENCE MAKES SENSE! ... FIVE EASY STEPS

1



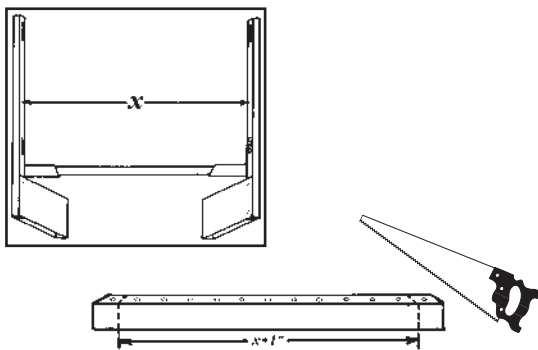
Fasten fence mounting bracket to pool upright.

2



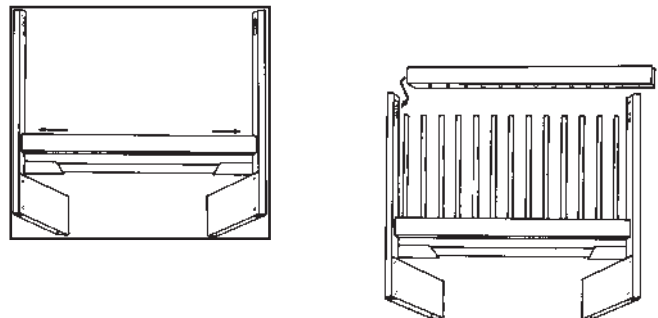
Slide the fence post into the bracket and secure with screws.

3



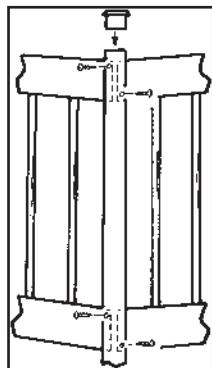
Measure and cut the horizontal rail.

4



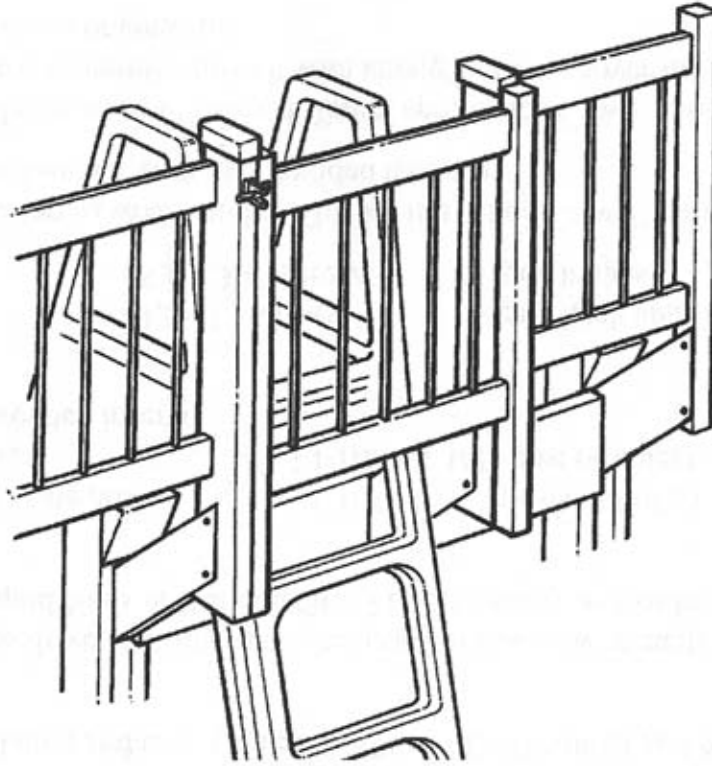
Install horizontal rails and fence pickets.

5



Make sure the screw "catches" the horizontal rail. Glue caps onto fence posts.

Plastival Gate Instructions



ADDITIONAL PROTECTION CAN HELP REDUCE UNAUTHORIZED USE

Other options for your pool include:

- Alarms that sound when doors and gates to your pool are opened
- Pool alarms activated by someone entering the pool area
- Alarms that detect unauthorized use of the pool itself

There is no substitute for parental supervision

Plastival Inc.

Thank you for purchasing a Plastival gate

Before starting, please remember to work safely. Use appropriate safety equipment when working with power tools.

A wide range of building codes and regulations govern the installation and safe use of your swimming pool. It is important for you to check with local building code officials regarding the codes in your area. Other sources for practical information on swimming pool use are the National Spa & Pool Institute (NSPI) and the National Swimming Pool Foundation (NSPF). These sources both offer several booklets on pool installation and use.

Contact NSPI at 703-838-0083 and NSPF at 210-525-1227.

Tools Required:

Drill and Phillips drill bits (#2 and #3), utility knife, hacksaw, pencil, measuring tape, lockable pliers or vice grips, adhesive for the caps (PVC glue or silicone caulking)

Section Parts List:

- 4 - Horizontal rails
- 3 - Mounting brackets
- 13 - Pickets
- 2 - 2" x 4" gate posts
- 2 - 1 1/2" x 1 1/2" posts (2 holes)
- 1 - 1 1/2" x 1 1/2" post (4 holes)
- 1 - 7/8" x 6" x 59" resin board with wooden inserts

Hardware Bag List:

- 46 - #8 x 5/8" painted screws
- 2 - #12 x 3/4" screws (taped together for easy identification)
- 4 - # 12 x 1" screws
- 4 - #8 x 1 3/4" screws
- 1 - Latch and finger
- 2 - Hinges
- 3 - 1 1/2" x 1 1/2" caps
- 2 - 2" x 4" post caps

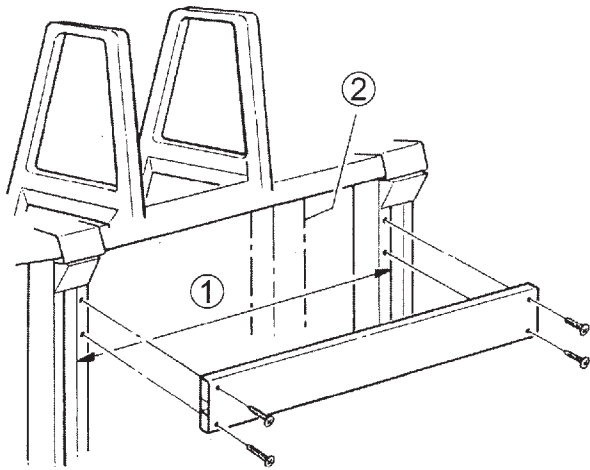
This kit is a client-assembled product. Take your time and piece everything together before you fasten it with the provided hardware.

The gate kit you have purchased is designed to fit many different applications. We do not know what pool or ladder you have or how they are installed. We have assembled a kit with enough parts to cover most applications.

Please do not hesitate to contact us if you have any questions or concerns.

Before starting: For the sake of our instructions, we have assumed your ladder is moved all the way to the left side of the opening to the the pool. Be sure to slide the ladder all the way to the left side of the gate section.

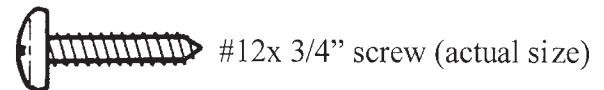
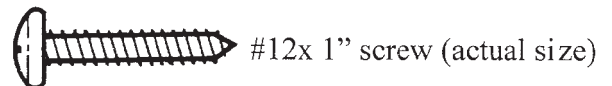
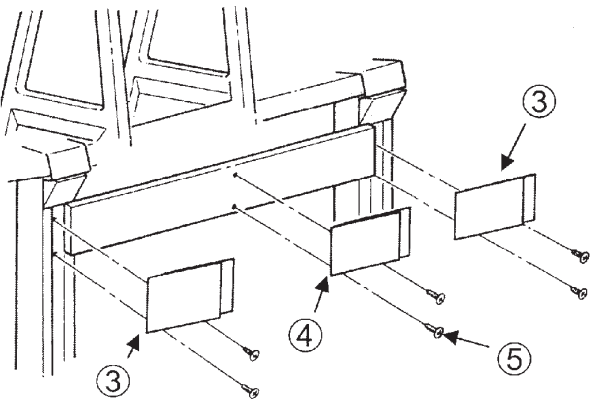
Step 1 - Installing the resin board (4" x 4")



Install the 7/8" x 6" x 60" resin board using four #8 x 1 3/4" screws. Measure from one pool upright to the next (1) and cut the resin board. Each resin board has two wooden inserts. The inserts are to be cut at the same time to the same length as the resin board. Before mounting the resin board on the pool uprights, you may want to pre-drill the holes in the board. The resin board creates a mounting surface for a fence bracket.

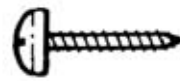
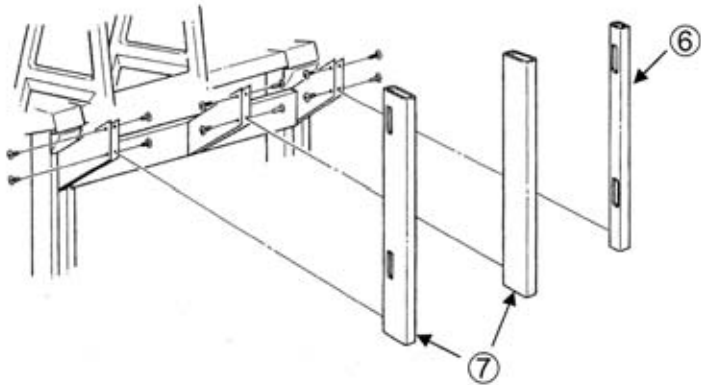
Note: In some cases, the resin board may have to be substituted by a 4" x 4" wooden post (not included) next to the ladder (2).

Step 2 - Installing the mounting brackets



Using a #3 Phillips drill bit, install one mounting bracket on each pool upright on either side of the ladder using two #12 x 1" screws per bracket (3). Install the third fence-mounting bracket next to the ladder and keep it at a uniform height with the other brackets (4). Fasten the bracket to the resin board with two #12 x 3/4" screws (5) (taped together for easy identification). Make sure the screws go into the wooden inserts.

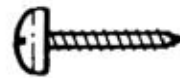
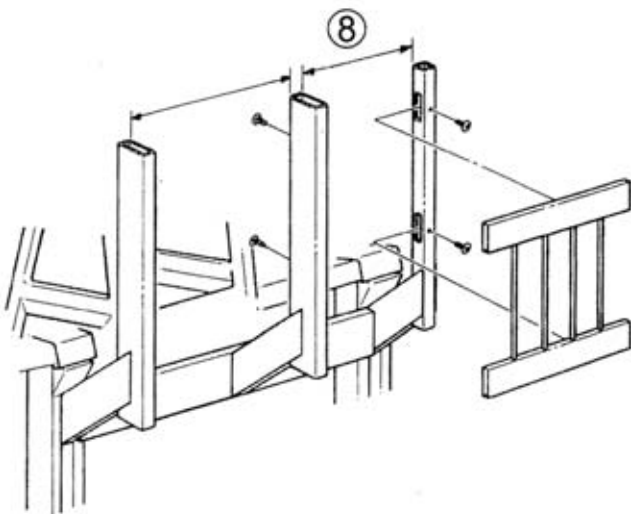
Step 3 - Installing posts



8 x 5/8" screw (actual size)

Install the line post to match up with the existing fence (6) using four #8 x 5/8" screws. The two 2" x 4" gate posts can be fastened to the mounting brackets on either side of the ladder (7). You may have to move the ladder closer to the pool wall to fit the gate. Keep in mind, the outer edge of the gate posts should be out far enough to allow the gate to clear the ladder and yet not so far as to allow an opening more than 4" from the pool's top rail (top seat). Align the gate posts in the brackets in the same way as existing fence posts. Note that the holes should be closest to the pool and facing outward. Lastly, attach each gate post using four #8 x 5/8" screws.

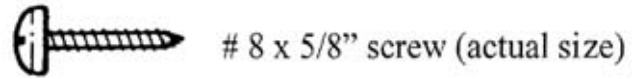
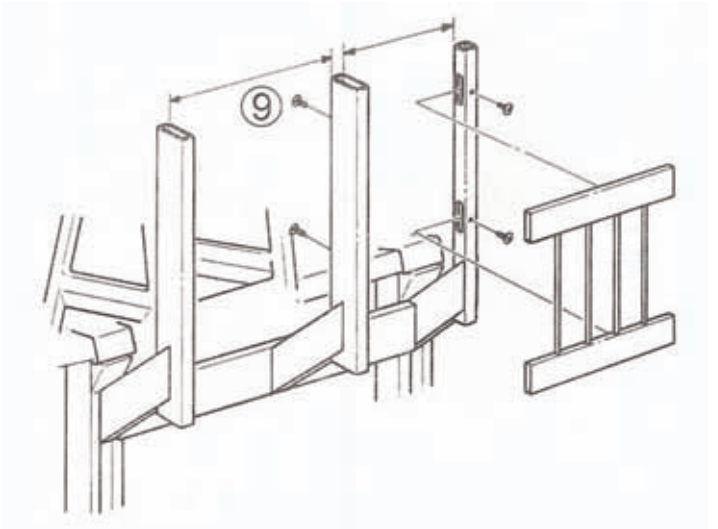
Step 4 - Installing a fence section



8 x 5/8" screw (actual size)

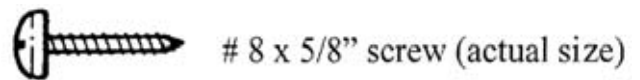
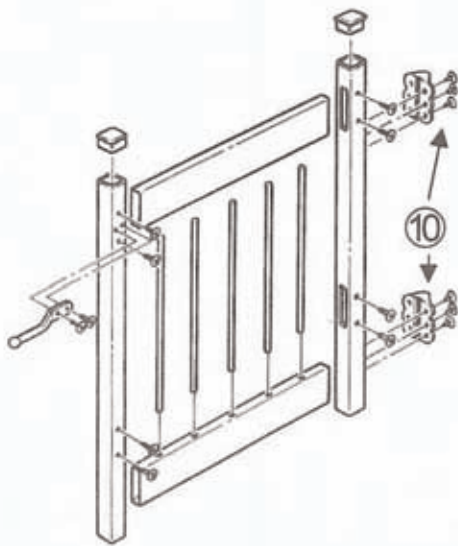
With the gate posts in place, install the small section of the fence on the open side of the gate installation. Measure the distance between the gate post and the line post and add 1" (8). Using this measurement, cut the horizontal rails to length. Insert the pickets and put the fence section into the fence posts. Use one #8 x 5/8" screw to secure each rail to its respective posts.
Note: When securing the rails with the gate post, you will have to do so from inside the pool.

Step 5 - Building your gate

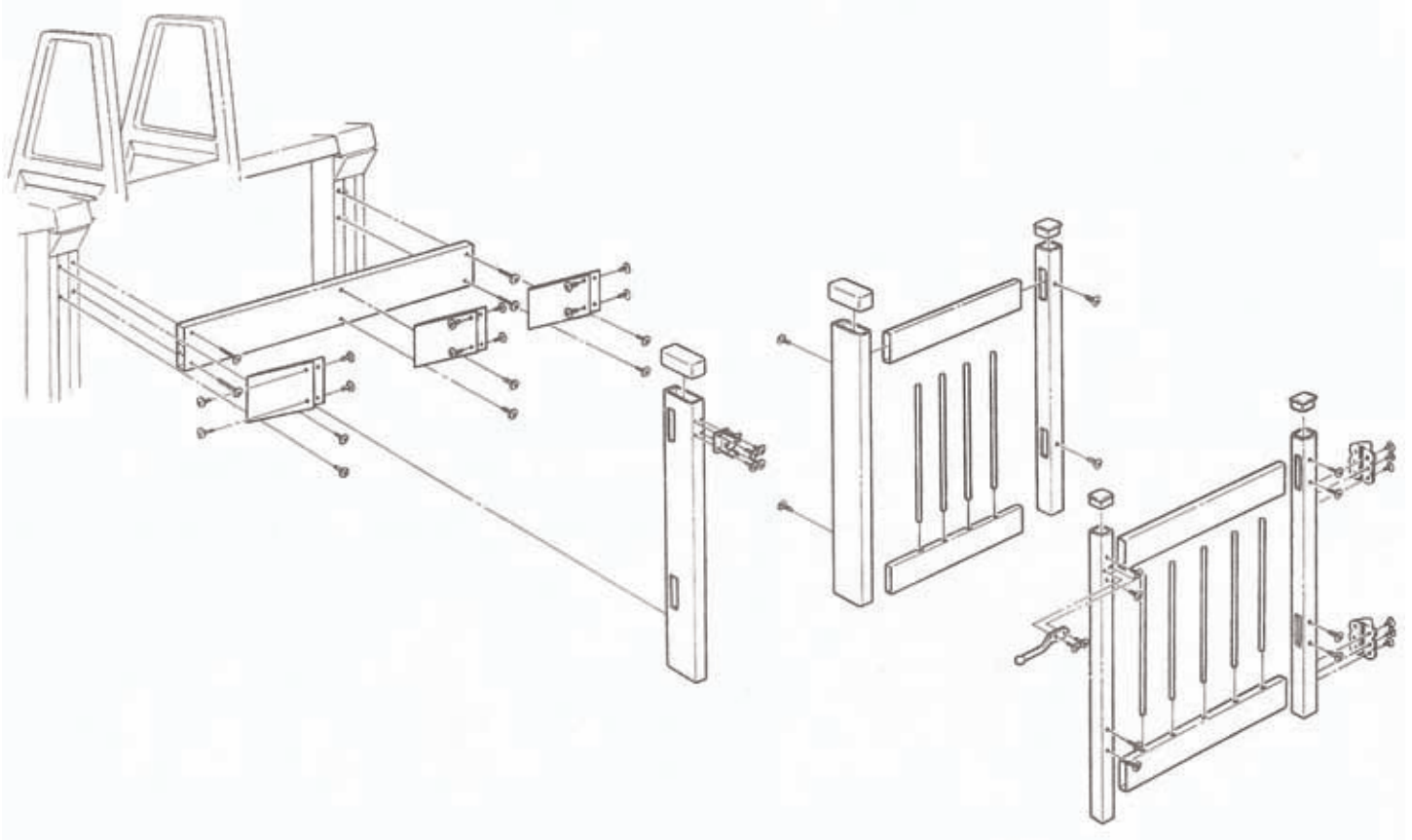


It is important to make the gate as square and as tight as possible. Measure the inside distance between the two installed gate posts and add 1/2" (9). This is the outside measurement of the gate. Take the two 1 1/2" x 1 1/2" posts with the holes one on one side only to build a gate as wide as the measurement that was just determined for the gate width. Cut the horizontal rails to the correct length, making sure they line up and add the appropriate number of pickets to assemble the gate. KEY - each corner gets two #8 x 5/8" screws through the 1 1/2" x 1 1/2" posts and then into the horizontal rails. Remember to make the gate as square and as tight as possible.

Step 6 - Installing the gate hinges and latch



Attach the gate hinges to the gate door using three #8 x 5/8" screws per hinge (10). Mount the hinges to the gate post. Attach the latch and finger, and glue the caps to the posts. The gate latch must be installed at least 54" above the ground to meet most building codes.



Step 7 - Verification

Lastly, check the installation over to make sure the gate closes each and every time. The gate needs to close successfully from a few inches to be able to open all the way.